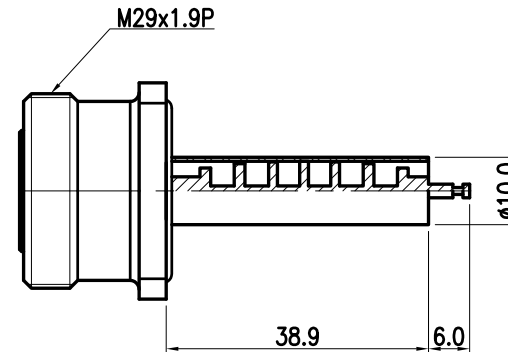
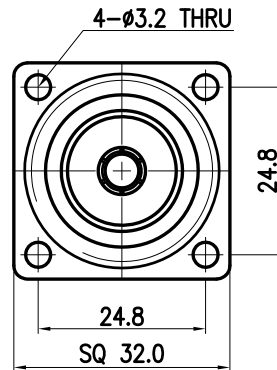
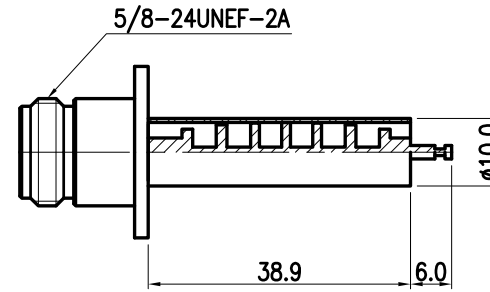
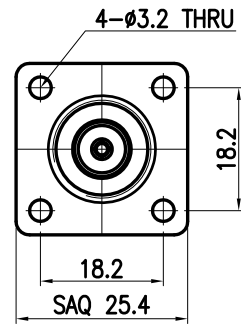


This document contains proprietary information and may not be reproduced or copied without the express written permission of a duly authorised representative of MPD.

REV	DESCRIPTION	DSG	APR	DATE



NOTE

1. Connector Type : 7/16 DIN or N
2. Material and Finish.
 - Center contact : Silver plated Brass
 - Lpf conductor : Silver plated Brass
 - Body : Ternary alloy plated Brass
 - Insulator : PTFE
 - O-RING : Silicone rubber
3. Electrical specification
 - Impedance : 50 Ohms
 - Cut-off frequency : 6GHz
 - Insertion loss : 0.5dB Max.
 - VSWR : 1.5 Max.
 - Attenuation : 60dB Min. @ 10 ~ 15GHz
 - Input Power(avg.) : 50dBm

UNLESS OTHERWISE SPECIFIED : ALL DIMS IN MILLIMETERS TOLERANCES ON DECIMALS 1 PLACE ±0.20 AGGLE ±1.0° 1.6σ 2 PLACE ±0.10 REMOVE BURRS. BREAK SHARP EDGES				THIRD ANGLE 		mpdevice MICROWAVE PASSIVE DEVICE	
DRAW	DESIGN	CHECK	APPRO.	TITLE			
<i>SG_PARK</i>	<i>WY_CHO</i>		<i>MC_YOU</i>	CONNECTOR WITH LPF CONDUCTOR 6GHz Cut-off			
2008.10.24	2008.10.24		2008.10.24	SIZE	DWG NO.		
Material			SEE NOTE	A4	N / A	REV	A
Finish			SEE NOTE	Scale : NS Do Not Scale Drawing 1 of 1			