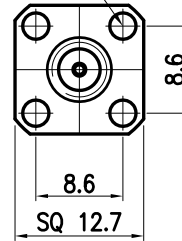


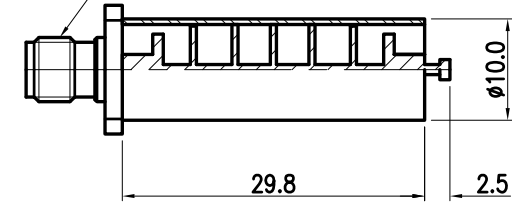
This document contains proprietary information and may not be reproduced or copied without the express written permission of a duly authorised representative of MPD.

REV	DESCRIPTION	DSG	APR	DATE

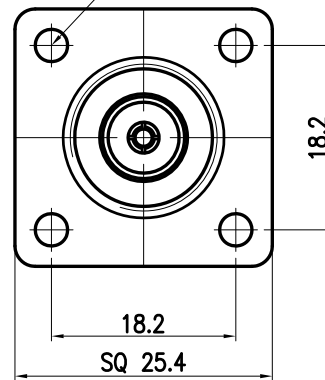
4- ϕ 2.6 THRU



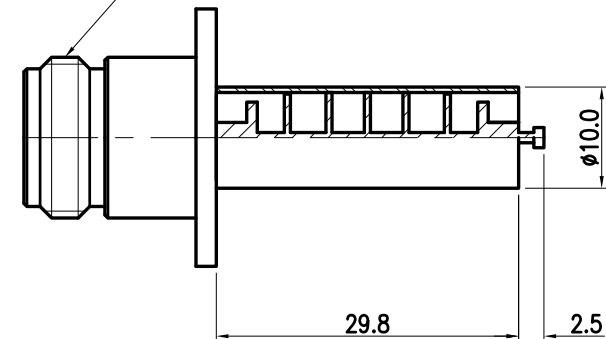
1/4-36UNS-2A



4- ϕ 3.2 THRU



5/8-24UNEF-2A



NOTE

1. Connector Type : SMA or N
2. Material and Finish.
 - Center contact : Gold or Silver plated Brass
 - Lpf conductor : Silver plated Brass
 - Body : Ternary alloy plated Brass
 - Insulator : PTFE
3. Electrical specification
 - Impedance : 50 Ohms
 - Cut-off frequency : 7GHz
 - Insertion loss : 0.5dB Max.
 - VSWR : 1.5 Max.
 - Attenuation : 50dB Min. @ 10 ~ 20GHz
 - Input Power(avg.) : 50dBm

UNLESS OTHERWISE SPECIFIED : ALL DIMS IN MILLIMETERS TOLERANCES ON DECIMALS 1 PLACE ± 0.20 AGGLE $\pm 1.0^\circ$ 1.6 σ 2 PLACE ± 0.10 REMOVE BURRS, BREAK SHARP EDGES				THIRD ANGLE
DRAW	DESIGN	CHECK	APPRO.	
<i>SG_PARK</i>	<i>WY_CHO</i>		<i>MC_YOU</i>	
2008.10.24	2008.10.24		2008.10.24	
Material	SEE NOTE			SIZE
Finish	SEE NOTE			DWG NO.



TITLE			
CONNECTOR WITH LPF CONDUCTOR 7GHz Cut-off			
SIZE	DWG NO.	REV	
A4	N / A	A	
Scale : NS Do Not Scale Drawing 1 of 1			