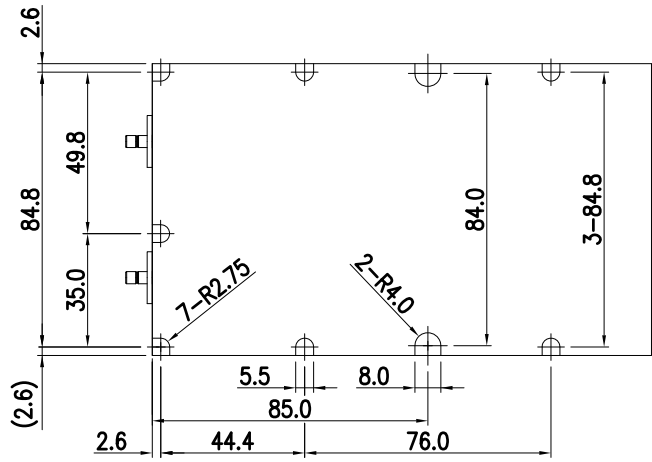
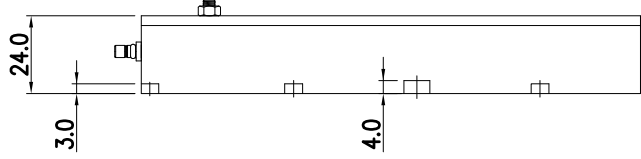
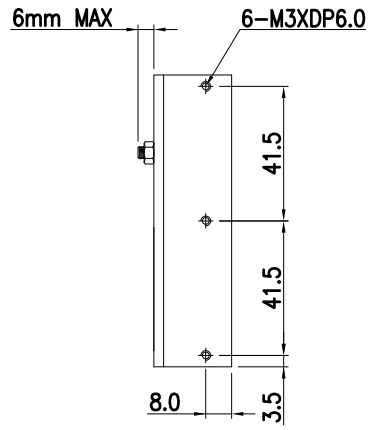
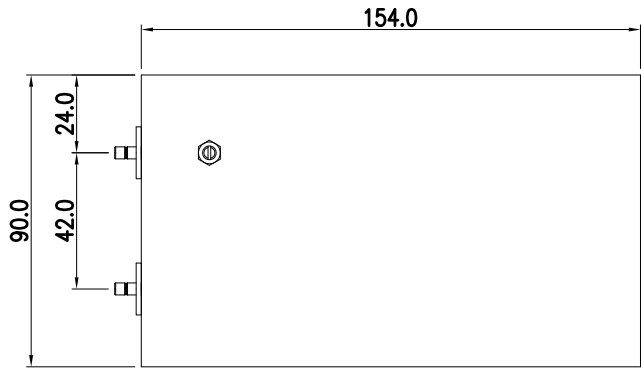
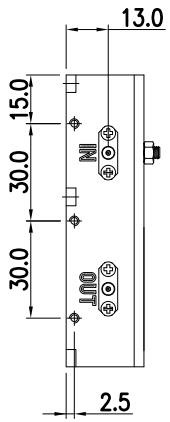


This document contains proprietary information and may not be reproduced or copied without the express written permission of MPD.

REV	DESCRIPTION	DSG	APR	DATE



UNLESS OTHERWISE SPECIFIED : ALL DIMS IN MILLIMETERS TOLERANCES ON DECIMALS 1 PLACE ±0.10 AGGLE ±1.0° 1.6σ 2 PLACE ±0.05 REMOVE BURRS, BREAK SHARP EDGES				THIRD ANGLE	
DRAW	DESIGN	CHECK	APPRO.	TITLE	
<i>SG_PARK</i>	<i>MC_YOU</i>	X	<i>MC_YOU</i>	MB2560B30A01 OUT-DRAWING	
2008.10.24	2008.10.24		2008.10.24	SIZE	DWG NO.
Material			SEE PART LIST	A4	MB2560B30A01
Finish			SEE PART LIST	REV	A
Scale : NS				Do Not Scale Drawing	
				1 of 1	

