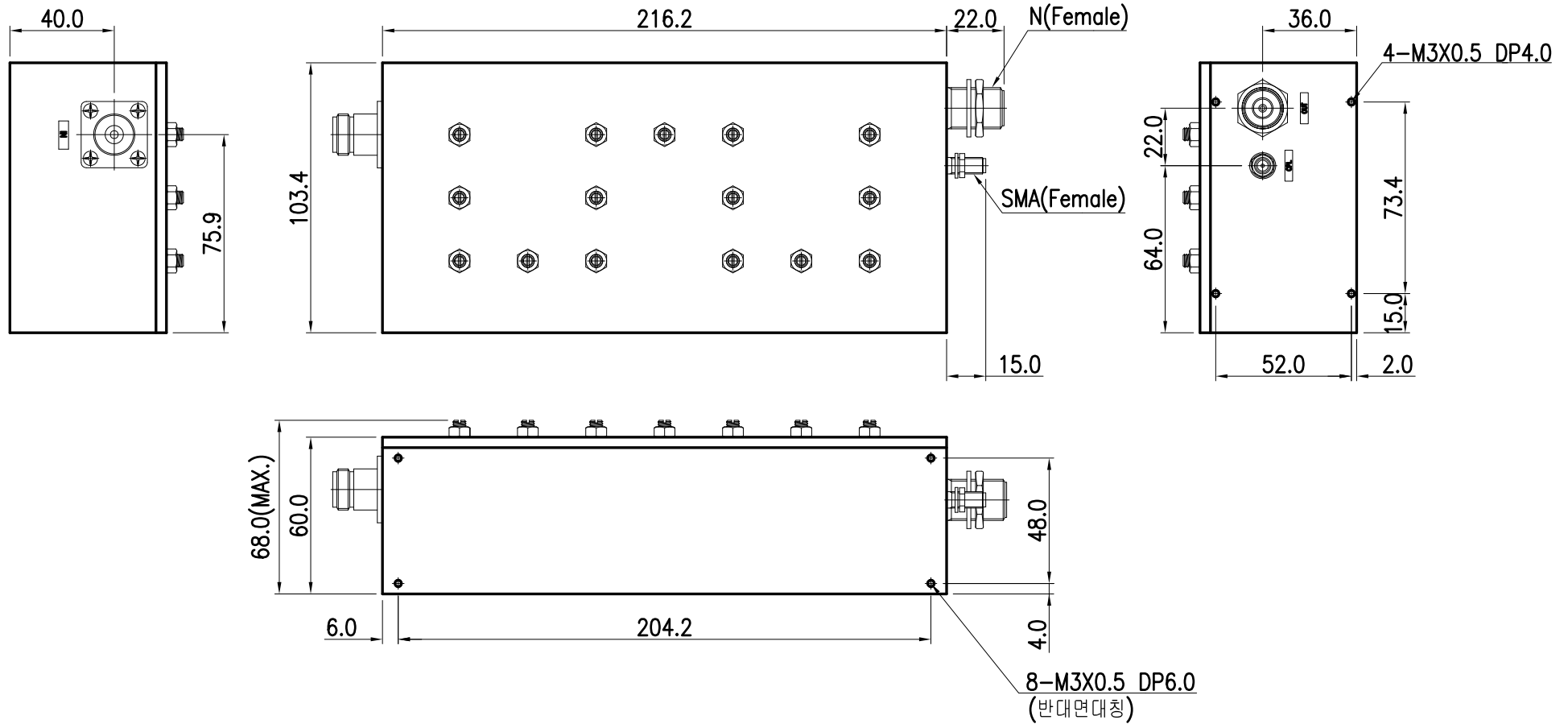


This document contains proprietary information and may not be reproduced or copied without the express written permission of MPD.

REV	DESCRIPTION	DSG	APR	DATE



<small>UNLESS OTHERWISE SPECIFIED : ALL DIMS IN MILLIMETERS TOLERANCES ON DECIMALS 1 PLACE ±0.10 AGGLE ±1.0° 1.6σ 2 PLACE ±0.05 REMOVE BURRS, BREAK SHARP EDGES</small>				THIRD ANGLE 		 MICROWAVE PASSIVE DEVICE	
DRAW	DESIGN	CHECK	APPRO.	TITLE			
<i>SG_PARK</i>	<i>MC_YOU</i>		<i>MC_YOU</i>	MB875B10X01 OUT-DRAWING			
2008.10.24	2008.10.24		2008.10.24	SIZE	DWG NO.	REV	
Material	SEE PART LIST			A4	MB875B10X01	A	
Finish	SEE PART LIST			Scale : NS Do Not Scale Drawing		1 of 1	