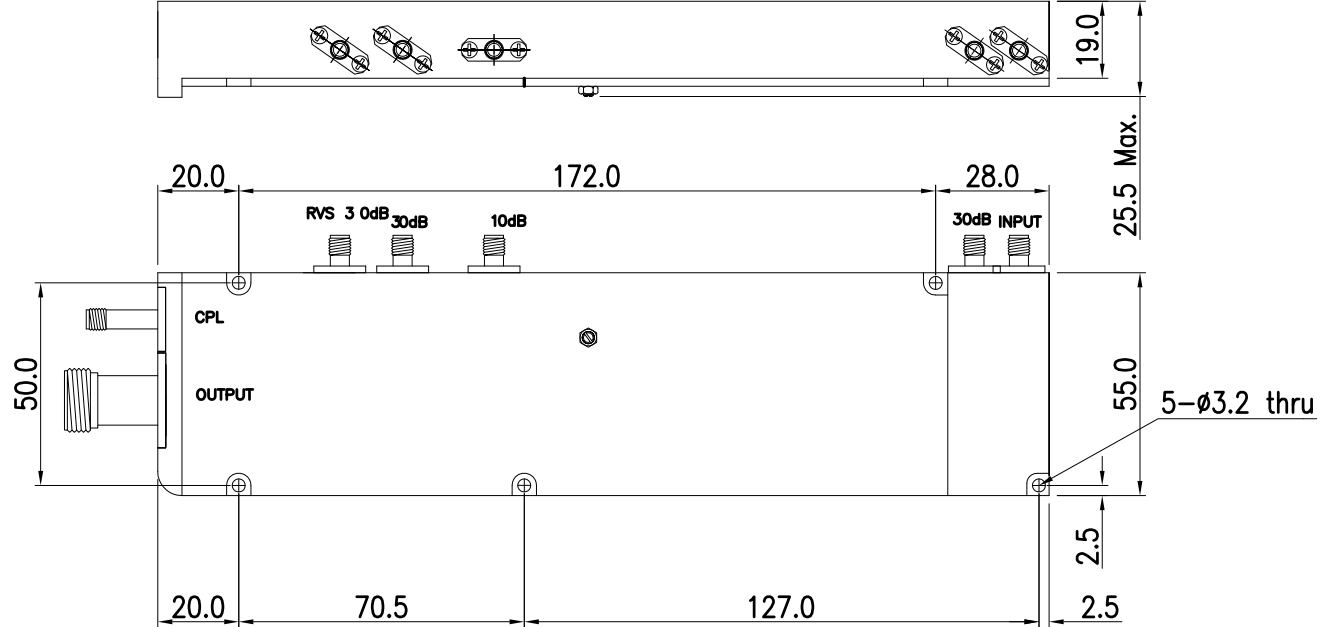
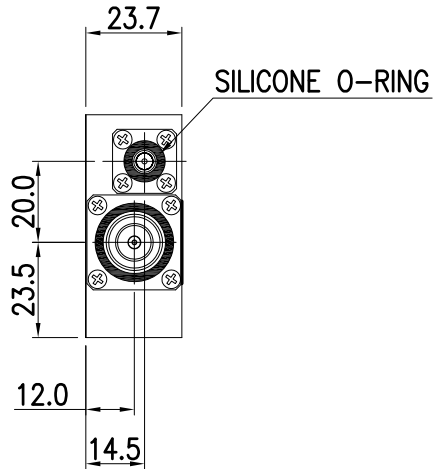


This document contains proprietary information and may not be reproduced or copied without the express written permission of MPD.

REV	DESCRIPTION	DSG	APR	DATE



UNLESS OTHERWISE SPECIFIED :
 ALL DIMS IN MILLIMETERS
 TOLERANCES ON DECIMALS
 1 PLACE ±0.10 AGGLE ±1.0° 1.6σ
 2 PLACE ±0.05
 REMOVE BURRS. BREAK SHARP EDGES

THIRD ANGLE

Mpdevice
MICROWAVE PASSIVE DEVICE

DRAW	DESIGN	CHECK	APPRO.	TITLE
<i>SG_PARK</i>	<i>MC_YOU</i>	X	<i>MC_YOU</i>	MF1865B60A01 OUT-DRAWING
2008.11. 5	2008.11. 5		2008.11. 5	
Material	SEE PART LIST			SIZE DWG NO.
Finish	SEE PART LIST			A4 MF1865B60A01
Scale : NS Do Not Scale Drawing				REV A
				1 of 1