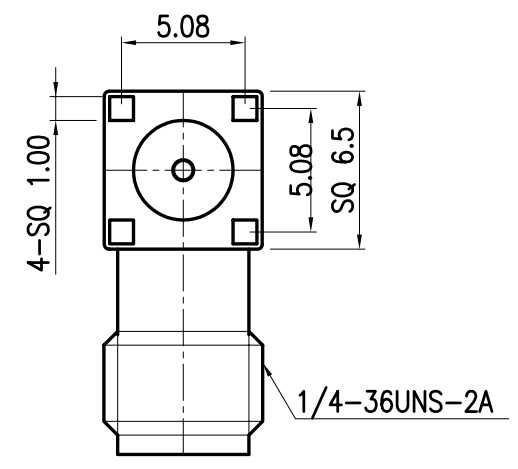
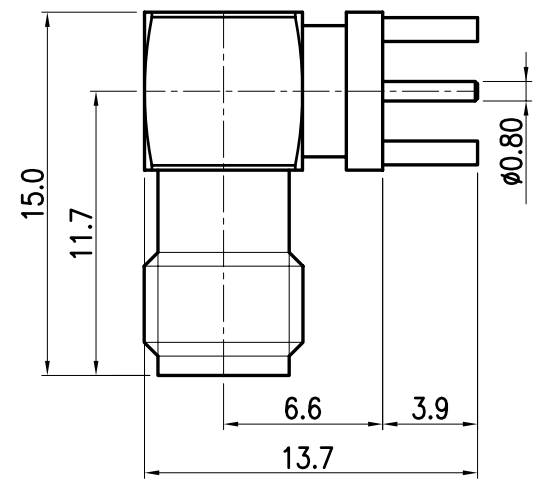
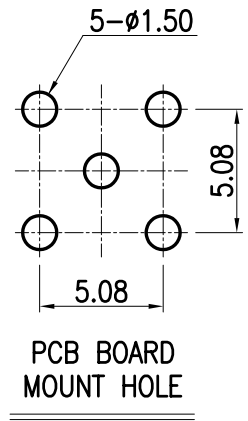


This document contains proprietary information and may not be reproduced or copied without the express written permission of a duly authorised representative of MPD.

REV	DESCRIPTION	DSG	APR	DATE



NOTE :

- Interface : IEC 169-15  
MIL-C-39012, SMA
- Material and finish  
Center contact - Female part : Beryllium-copper / Gold  
Solder part : Brass / Gold  
Insulator : PTFE  
Body, bush : Brass / Gold
- Environmental data  
Operating Temperature : -45 ~ 120C°  
2002/95/EC (RoHS) : Compliant

<small>UNLESS OTHERWISE SPECIFIED : ALL DIMS IN MILLIMETERS TOLERANCES ON DECIMALS 1 PLACE ±0.20 ANGLE ±1.0° 1.6g√ 2 PLACE ±0.10 REMOVE BURRS, BREAK SHARP EDGES</small>				<b>THIRD ANGLE</b> 			
<b>DRAW</b>	<b>DESIGN</b>	<b>CHECK</b>	<b>APPRO.</b>	<b>TITLE</b>			
<i>JM_PARK</i>	<i>WY_CHO</i>		<i>CU_LEE</i>	SMA PCB RECEPTACLE RIGHT ANGLE JACK			
2006.12.12	2006.12.12		2006.12.12	<b>SIZE</b>	<b>DWG NO.</b>	<b>REV</b>	
<b>Material</b>			SEE NOTE 2.	A4	A7031-110	A	
<b>Finish</b>			SEE NOTE 2.	Scale : NS Do Not Scale Drawing		1 of 1	