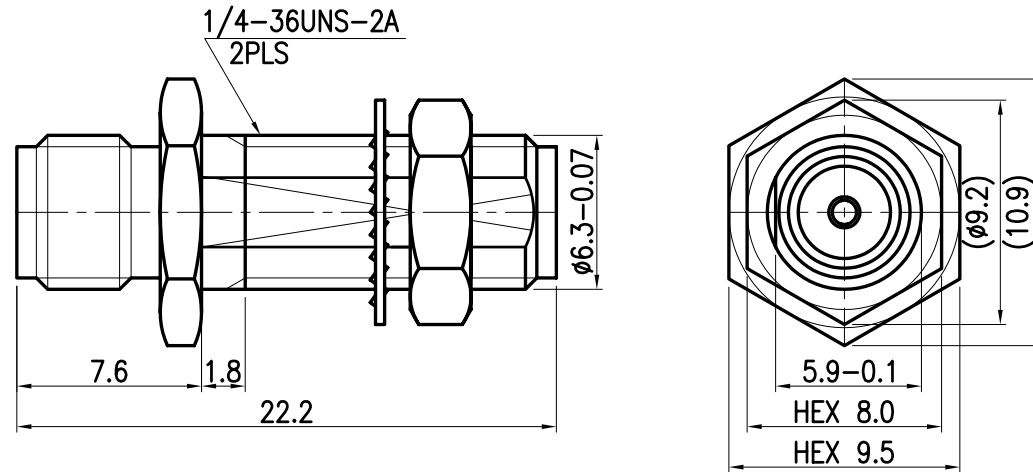



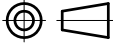
This document contains proprietary information and may not be reproduced or copied without the express written permission of a duly authorised representative of MPD.

REV	DESCRIPTION	DSG	APR	DATE



NOTE :

- Material and Finish
 Center contact : Beryllium copper / Gold
 Body : Brass / Gold
 Insulator : PTFE
- Specification
 Frequency range : DC ~ 18Ghz
 VSWR : 1.15 : 1 Max
 Operating Temperature : -40 ~ 120C°
 2002/95/EC (RoHS) : Compliant

UNLESS OTHERWISE SPECIFIED : ALL DIMS IN MILLIMETERS TOLERANCES ON DECIMALS 1 PLACE ±0.10 ANGLE ±1.0° 1.6g 2 PLACE ±0.05 REMOVE BURRS. BREAK SHARP EDGES				THIRD ANGLE	 MPDdevice MICROWAVE PASSIVE DEVICE
DRAW	DESIGN	CHECK	APPRO.		
<i>JM_PARK</i>	<i>WY_CHO</i>	 	<i>CU_PEE</i>	TITLE	
2007. 2. 1	2007. 2. 1		2007. 2. 1	ADAPTOR 50 Ohms SMA JACK - SMA JACK BULKHEAD	
Material	SEE NOTE 1.			SIZE	REV
Finish	SEE NOTE 1.			A4	A
DWG NO.				A8017-110	
Scale : NS				Do Not Scale Drawing 1 of 1	