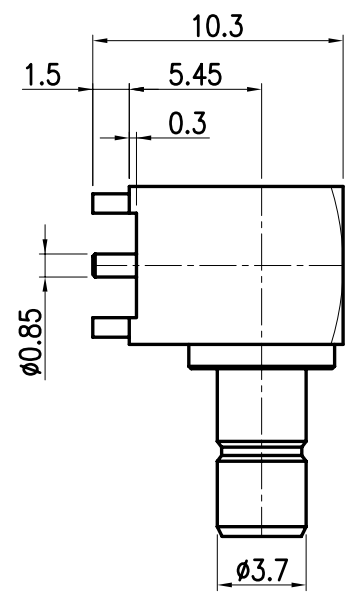
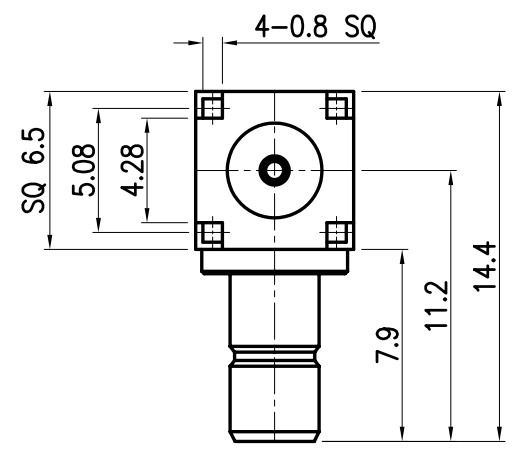
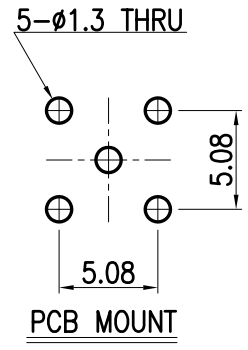


This document contains proprietary information and may not be reproduced or copied without the express written permission of a duly authorised representative of MPD.

REV	DESCRIPTION	DSG	APR	DATE



- NOTE :
- Interface : IEC 169-10
MIL-C-39012, SMB
 - Material and Finish
Center contact : Brass / Gold
Body : Brass / Gold
Insulator : PTFE
 - Environmental data
Operating Temperature : -45 ~ 120C°
2002/95/EC (RoHS) : Compliant

UNLESS OTHERWISE SPECIFIED : ALL DIMS IN MILLIMETERS TOLERANCES ON DECIMALS 1 PLACE \pm 0.20 ANGLE \pm 1.0° 1.6 α ✓ 2 PLACE \pm 0.10 REMOVE BURRS. BREAK SHARP EDGES				THIRD ANGLE 		 MICROWAVE PASSIVE DEVICE	
DRAW	DESIGN	CHECK	APPRO.	TITLE SMB JACK RIGHT ANGEL CONNECTOR PCB PANEL MOUNT (0-1.5)			
<i>JM_PARK</i>	<i>WY_CHO</i>		<i>CU_PEE</i>	SIZE A4			
2006.12.12	2006.12.12		2006.12.12	DWG NO. B7008-110		REV A	
Material		SEE NOTE 2.		Scale : NS Do Not Scale Drawing 1 of 1			
Finish		SEE NOTE 2.					