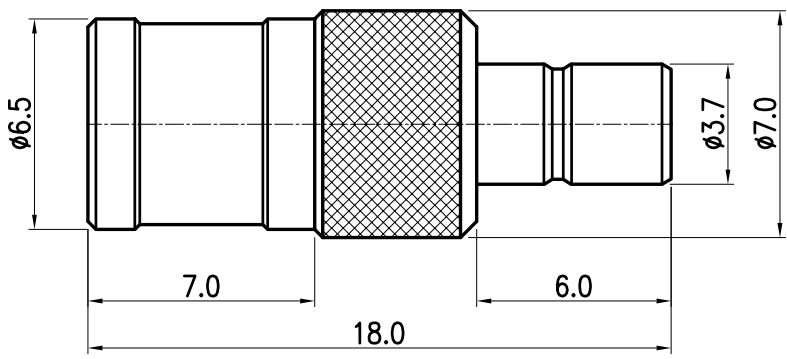


This document contains proprietary information and may not be reproduced or copied without the express written permission of a duly authorised representative of MPD.

REV	DESCRIPTION	DSG	APR	DATE



NOTE :

- Material and Finish
 Center contact : Beryllium copper / Gold
 Body, Coupling Nut : Brass / Gold
 Insulator : PTFE

- Specification
 Frequency range : DC ~ 4Ghz
 VSWR : 1.15 : 1 Max
 Operating Temperature : -40 ~ 120C°
 2002/95/EC (RoHS) : Compliant

<small>UNLESS OTHERWISE SPECIFIED : ALL DIMS IN MILLIMETERS TOLERANCES ON DECIMALS 1 PLACE ±0.10 AGGLE ±1.0° 1.6a√ 2 PLACE ±0.05 REMOVE BURRS, BREAK SHARP EDGES</small>				THIRD ANGLE 		 MICROWAVE PASSIVE DEVICE	
DRAW	DESIGN	CHECK	APPRO.	TITLE			
<i>JM PARK</i>	<i>WY CHO</i>		<i>CU LEE</i>	ADAPTOR 50 Ohms SMB PLUG – SMB JACK			
2007. 2. 1	2007. 2. 1		2007. 2. 1	SIZE	DWG NO.	REV	
Material			SEE NOTE 1.	A4	B8013-111	A	
Finish			SEE NOTE 1.	Scale : NS Do Not Scale Drawing 1 of 1			