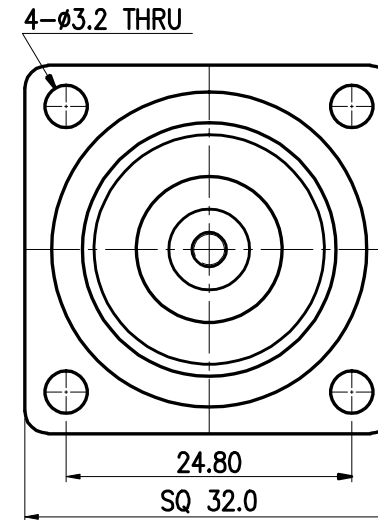
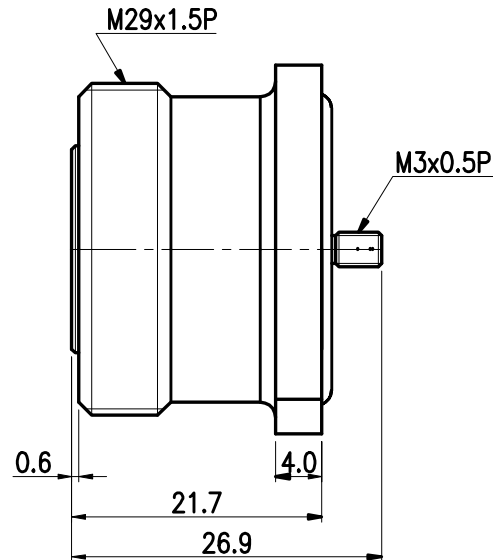


This document contains proprietary information and may not be reproduced or copied without the express written permission of a duly authorised representative of MPD.

REV	DESCRIPTION	DSG	APR	DATE



NOTE :

- Interface : IEC 169-4
- Material and Finish  
Center contact : Brass / Silver  
Body : Brass / Silver  
Insulator : PTFE
- Environmental data  
Operating Temperature : -45 ~ 120C°  
2002/95/EC (RoHS) : Compliant

UNLESS OTHERWISE SPECIFIED : ALL DIMS IN MILLIMETERS TOLERANCES ON DECIMALS 1 PLACE ±0.10 ANGLE ±1.0° 2 PLACE ±0.05 REMOVE BURRS, BREAK SHARP EDGES				THIRD ANGLE 	<b>Mpdevice</b> MICROWAVE PASSIVE DEVICE
DRAW <i>GM_PARK</i>	DESIGN <i>WY_CSH</i>	CHECK 	APPRO. <i>GM_PARK</i>	TITLE 7/16 JACK 4H CONNECTOR PANEL MOUNT (0-5.2)	
2006.12.12	2006.12.12		2006.12.12	SIZE A4	DWG NO. D4085-220
Material	SEE NOTE 2.			REV A	
Finish	SEE NOTE 2.			Scale : NS	Do Not Scale Drawing 1 of 1