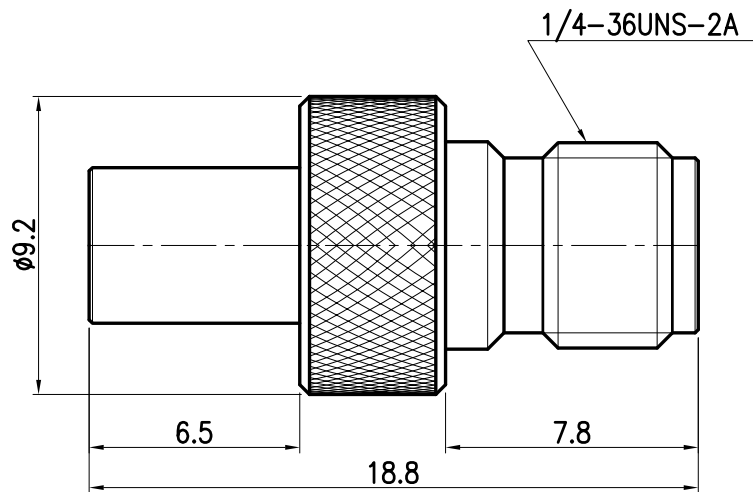


This document contains proprietary information and may not be reproduced or copied without the express written permission of a duly authorised representative of MPD.

REV	DESCRIPTION	DSG	APR	DATE



NOTE :

- Material and Finish
 Center contact : Beryllium-copper / Gold
 Body : Brass / Gold
 Insulator : PTFE
- Specification
 Frequency range : DC ~ 6GHz
 VSWR : 1.20 : 1 Max
 Operating Temperature : -45 ~ 120C°
 2002/95/EC (RoHS) : Compliant

<small>UNLESS OTHERWISE SPECIFIED : ALL DIMS IN MILLIMETERS TOLERANCES ON DECIMALS 1 PLACE ±0.10 ANGLE ±1.0° 1.6a 2 PLACE ±0.05 REMOVE BURRS. BREAK SHARP EDGES</small>						
<small>DRAW</small> <i>JM PARK</i>	<small>DESIGN</small> <i>WY CHO</i>	<small>CHECK</small> 	<small>APPRO.</small> <i>CU LEE</i>	<small>TITLE</small> BETWEEN ADAPTOR 50 Ohms MCX JACK - SMA JACK		
<small>2007. 2. 1</small>	<small>2007. 2. 1</small>		<small>2007. 2. 1</small>	<small>SIZE</small> A4	<small>DWG NO.</small> L2115-110	<small>REV</small> A
<small>Material</small> SEE NOTE 1.				<small>Scale : NS Do Not Scale Drawing 1 of 1</small>		
<small>Finish</small> SEE NOTE 1.						