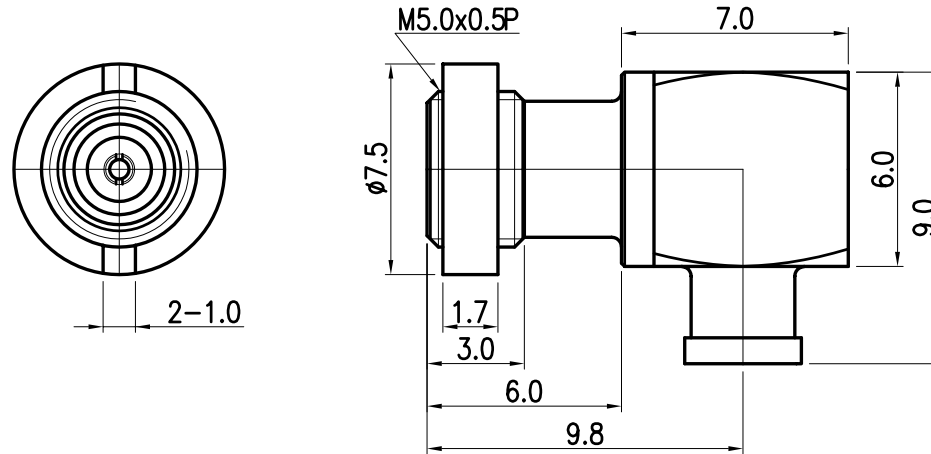


This document contains proprietary information and may not be reproduced or copied without the express written permission of a duly authorised representative of MPD.

REV	DESCRIPTION	DSG	APR	DATE



NOTE :

1. Interface : CECC 22220
2. Material and Finish
Center contact : Beryllium-copper / Gold
Body : Brass / Gold
Insulator : PTFE
3. Environmental data
Operating Temperature : -45 ~ 120C°
2002/95/EC (RoHS) : Compliant

UNLESS OTHERWISE SPECIFIED : ALL DIMS IN MILLIMETERS TOLERANCES ON DECIMALS 1 PLACE ±0.20 AGGLE ±1.0° 1.6a√ 2 PLACE ±0.10 REMOVE BURRS, BREAK SHARP EDGES				THIRD ANGLE 	 MICROWAVE PASSIVE DEVICE
DRAW	DESIGN	CHECK	APPRO.	TITLE	
<i>JM_PARK</i>	<i>WY_CHO</i>		<i>CU_LEE</i>	MCX JACK RIGHT ANGLE CABLE FOR 0.085" (SOLDER)	
2006.12.12	2006.12.12		2006.12.12		
Material	SEE NOTE 2.			SIZE DWG NO.	
Finish	SEE NOTE 2.			A4 M1017-110	
Scale : NS Do Not Scale Drawing				REV A	1 of 1