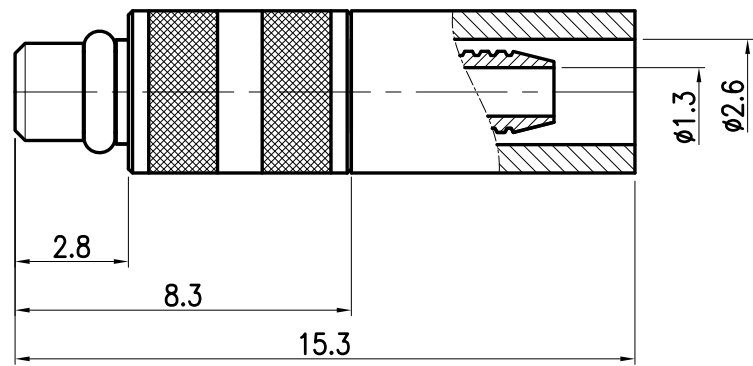


This document contains proprietary information and may not be reproduced or copied without the express written permission of a duly authorised representative of MPD.

REV	DESCRIPTION	DSG	APR	DATE



NOTE :

- Interface : CECC 22000
- Material and finish
 Center contact : Brass / Gold
 Insulator : PTFE
 Body : Brass / Gold
- Environmental data
 Operating Temperature : $-45 \sim 120^{\circ}$
 2002/95/EC (RoHS) : Compliant

<small>UNLESS OTHERWISE SPECIFIED : ALL DIMS IN MILLIMETERS TOLERANCES ON DECIMALS 1 PLACE ± 0.20 AGGLE $\pm 1.0^{\circ}$ 1.6a 2 PLACE ± 0.10 REMOVE BURRS, BREAK SHARP EDGES</small>				<small>THIRD ANGLE</small> 		 MICROWAVE PASSIVE DEVICE	
DRAW	DESIGN	CHECK	APPRO.	TITLE			
<i>JM_PARK</i>	<i>JM_PARK</i>	X	<i>WY_CHO</i>	MMCX(M)ST CABLE FOR 178			
2007. 3. 7	2007. 3. 7		2007. 3. 7	SIZE	DWG NO.	REV	
Material			SEE NOTE 2.	A4	M1020-110	A	
Finish			SEE NOTE 2.	Scale : NS Do Not Scale Drawing			1 of 1