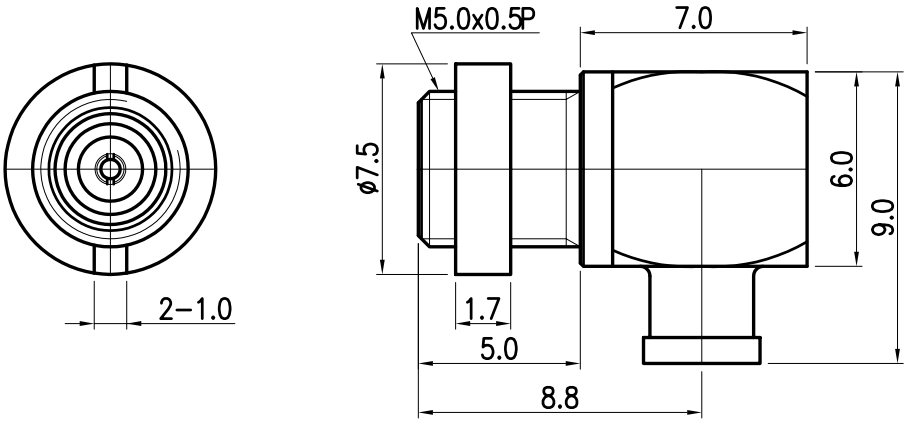


This document contains proprietary information and may not be reproduced or copied without the express written permission of a duly authorised representative of MPD.

REV	DESCRIPTION	DSG	APR	DATE



NOTE :

1. Interface : CECC 22220
2. Material and Finish  
 Center contact : Beryllium-copper / Gold  
 Body : Brass / Gold  
 Insulator : PTFE
3. Environmental data  
 Operating Temperature : -45 ~ 120C°  
 2002/95/EC (RoHS) : Compliant

<small>UNLESS OTHERWISE SPECIFIED :          ALL DIMS IN MILLIMETERS          TOLERANCES ON DECIMALS          1 PLACE ±0.20 ANGLE ±1.0° 1.6a          2 PLACE ±0.10          REMOVE BURRS, BREAK SHARP EDGES</small>				<b>THIRD ANGLE</b> 		 <b>MICROWAVE PASSIVE DEVICE</b>	
<b>DRAW</b>	<b>DESIGN</b>	<b>CHECK</b>	<b>APPRO.</b>	<b>TITLE</b>			
<i>JM_PARK</i>	<i>WY_CHO</i>		<i>CU_LEE</i>	<b>MCX JACK RIGHT ANGLE CABLE          FOR 0.085" (SOLDER)</b>			
2006.12.12	2006.12.12		2006.12.12	<b>SIZE</b>	<b>DWG NO.</b>	<b>REV</b>	
<b>Material</b>			SEE NOTE 2.	A4	M1020-110	A	
<b>Finish</b>			SEE NOTE 2.	Scale : NS Do Not Scale Drawing		1 of 1	