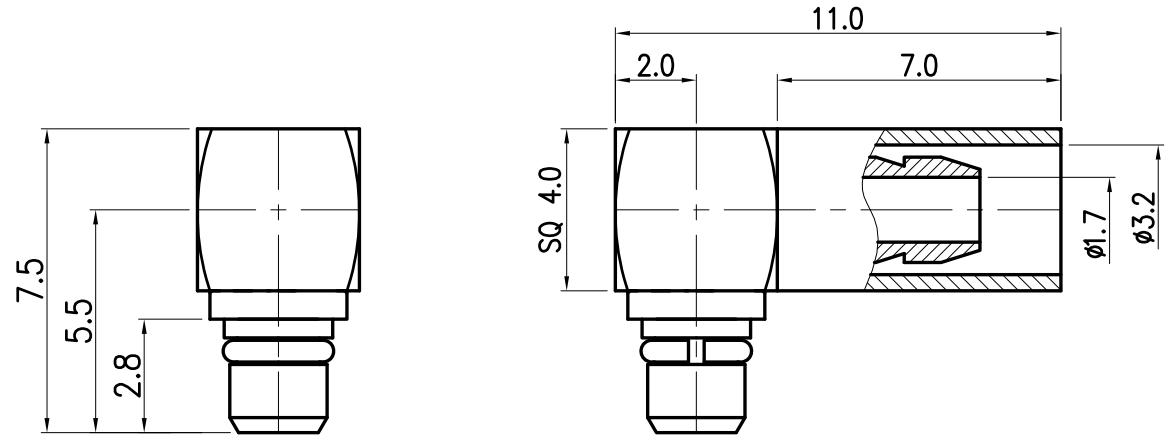


This document contains proprietary information and may not be reproduced or copied without the express written permission of a duly authorised representative of MPD.

REV	DESCRIPTION	DSG	APR	DATE



NOTE :

- Interface : CECC 22000
- Material and finish
Center contact : Brass / Gold
Insulator : PTFE
Body : Brass / Gold
- Environmental data
Operating Temperature : -45 ~ 120C°
2002/95/EC (RoHS) : Compliant

<small>UNLESS OTHERWISE SPECIFIED : ALL DIMS IN MILLIMETERS TOLERANCES ON DECIMALS 1 PLACE ±0.20 AGGLE ±1.0° 1.6σ 2 PLACE ±0.10 REMOVE BURRS, BREAK SHARP EDGES</small>				THIRD ANGLE 		 <small>MICROWAVE PASSIVE DEVICE</small>	
DRAW	DESIGN	CHECK	APPRO.	TITLE			
<i>JM_PARK</i>	<i>JM_PARK</i>		<i>WY_CHO</i>	MMCX RIGHT ANGLE PLUG FOR RG-316 (CRIMP)			
2006.12.05	2006.12.05		2006.12.05	SIZE	DWG NO.		
Material			SEE NOTE 2.	A4	M1026-110	REV	A
Finish			SEE NOTE 2.	Scale : NS Do Not Scale Drawing 1 of 1			