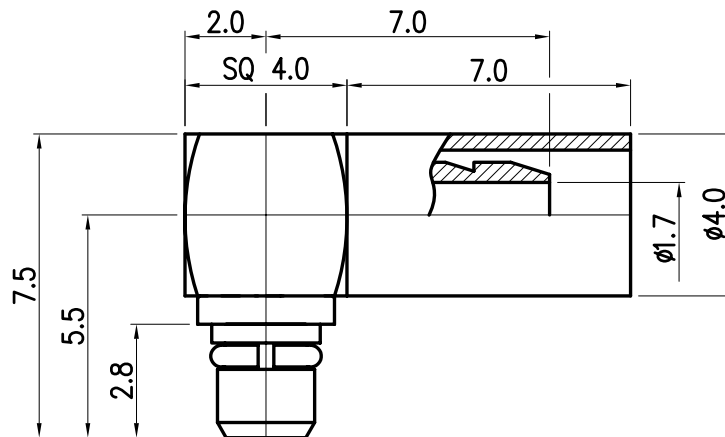


This document contains proprietary information and may not be reproduced or copied without the express written permission of a duly authorised representative of MPD.

REV	DESCRIPTION	DSG	APR	DATE



NOTE :

- Interface : CECC 22220
- Material and Finish
Center contact : Brass / Gold
Body : Brass / Gold
Insulator : PTFE
- Environmental data
Operating Temperature : -45 ~ 120C°
2002/95/EC (RoHS) : Compliant

UNLESS OTHERWISE SPECIFIED : ALL DIMS IN MILLIMETERS TOLERANCES ON DECIMALS 1 PLACE ±0.20 ANGLE ±1.0° 1.6σ 2 PLACE ±0.10 REMOVE BURRS. BREAK SHARP EDGES				THIRD ANGLE 		 MICROWAVE PASSIVE DEVICE	
DRAW	DESIGN	CHECK	APPRO.	TITLE			
<i>JM_PARK</i>	<i>WY_CHO</i>		<i>CU_LEE</i>	MMCX RIGHT ANGLE PLUG FOR RG-316 (CRIMP)			
2006.12.12	2006.12.12		2006.12.12				
Material			SEE NOTE 2.	SIZE	DWG NO.	REV	
Finish			SEE NOTE 2.	A4	M1026-110	A	
				Scale : NS	Do Not Scale Drawing	1 of 1	