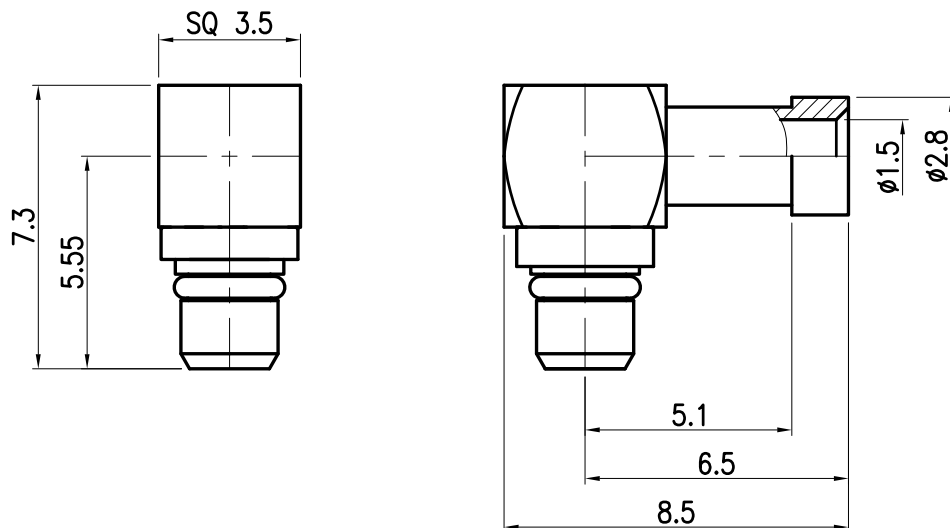


This document contains proprietary information and may not be reproduced or copied without the express written permission of a duly authorised representative of MPD.

| REV | DESCRIPTION | DSG | APR | DATE |
|-----|-------------|-----|-----|------|
|     |             |     |     |      |



NOTE :

- Interface : CECC 22000
- Material and finish  
Center contact : Brass / Gold  
Insulator : PTFE  
Body : Brass / Gold
- Environmental data  
Operating Temperature : -45 ~ 120C°  
2002/95/EC (RoHS) : Compliant

|   |                |       |               |                                      |           |                              |        |
|---|----------------|-------|---------------|--------------------------------------|-----------|------------------------------|--------|
| UNLESS OTHERWISE SPECIFIED :<br>ALL DIMS IN MILLIMETERS<br>TOLERANCES ON DECIMALS<br>1 PLACE ±0.20 AGGLE ±1.0° 1.6a<br>2 PLACE ±0.10<br>REMOVE BURRS, BREAK SHARP EDGES |                |       |               | THIRD ANGLE<br>                      |           | <br>MICROWAVE PASSIVE DEVICE |        |
| DRAW  | DESIGN         | CHECK | APPRO.        | TITLE                                |           |                              |        |
| <i>GM_PARK</i>  | <i>GM_PARK</i> |       | <i>WY_CHO</i> | MMCX MALE R/A<br>FOR RG-178 (SOLDER) |           |                              |        |
| 2007. 3. 7  | 2007. 3. 7     |       | 2007. 3. 7    | SIZE                                 | DWG NO.   | REV                          |        |
| Material  | SEE NOTE 2.    |       |               | A4                                   | M1061-110 | A                            |        |
| Finish  | SEE NOTE 2.    |       |               | Scale : NS Do Not Scale Drawing      |           |                              | 1 of 1 |