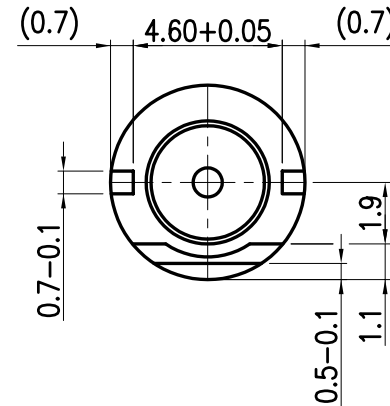
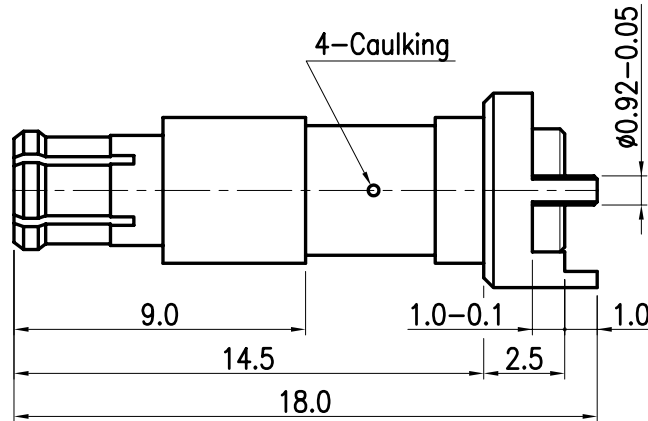


This document contains proprietary information and may not be reproduced or copied without the express written permission of a duly authorised representative of MPD.

REV	DESCRIPTION	DSG	APR	DATE



NOTE :

- Interface : CECC 22220
- Material and Finish
Center contact : Brass / Gold
Body : Beryllium-copper / Nickel
Insulator : PTFE
- Environmental data
Operating Temperature : $-45 \sim 120^{\circ}$
2002/95/EC (RoHS) : Compliant

UNLESS OTHERWISE SPECIFIED : ALL DIMS IN MILLIMETERS TOLERANCES ON DECIMALS 1 PLACE ± 0.20 ANGLE $\pm 1.0^{\circ}$ 1.6a 2 PLACE ± 0.10 REMOVE BURRS. BREAK SHARP EDGES				THIRD ANGLE 		 MICROWAVE PASSIVE DEVICE	
DRAW	DESIGN	CHECK	APPRO.	TITLE			
<i>JM_PARK</i>	<i>WY_CHO</i>		<i>CU_PEE</i>	MCX PLUG PCB RECEPTACLE			
2006.12.12	2006.12.12		2006.12.12	SIZE	DWG NO.	REV	
Material	SEE NOTE 2.			A4	M7004-410	A	
Finish	SEE NOTE 2.			Scale : NS	Do Not Scale Drawing	1 of 1	