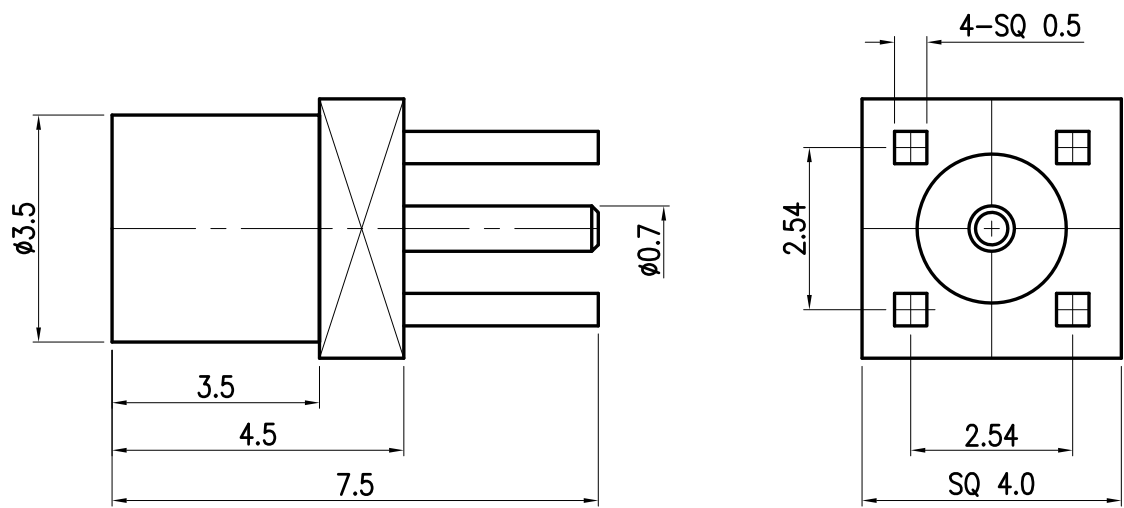


This document contains proprietary information and may not be reproduced or copied without the express written permission of a duly authorised representative of MPD.

REV	DESCRIPTION	DSG	APR	DATE



NOTE :

- Interface : CECC 22000
- Material and finish
 Center contact : Brass / Gold
 Insulator : PTFE
 Body : Brass / Gold
- Environmental data
 Operating Temperature : -45 ~ 120C°
 2002/95/EC (RoHS) : Compliant

<small>UNLESS OTHERWISE SPECIFIED : ALL DIMS IN MILLIMETERS TOLERANCES ON DECIMALS 1 PLACE ±0.20 AGGLE ±1.0° 1.6σ 2 PLACE ±0.10 REMOVE BURRS, BREAK SHARP EDGES</small>				<small>THIRD ANGLE</small> 		 <small>MICROWAVE PASSIVE DEVICE</small>	
DRAW	DESIGN	CHECK	APPRO.	TITLE			
<i>JM_PARK</i>	<i>JM_PARK</i>		<i>WJ_CHO</i>	MMCX JACK PCB RECEPTACLE			
2006.12.12	2006.12.12		2006.12.12	SIZE	DWG NO.	REV	
Material	SEE NOTE 2.			A4	M7011-110	A	
Finish	SEE NOTE 2.			Scale : NS Do Not Scale Drawing		1 of 1	