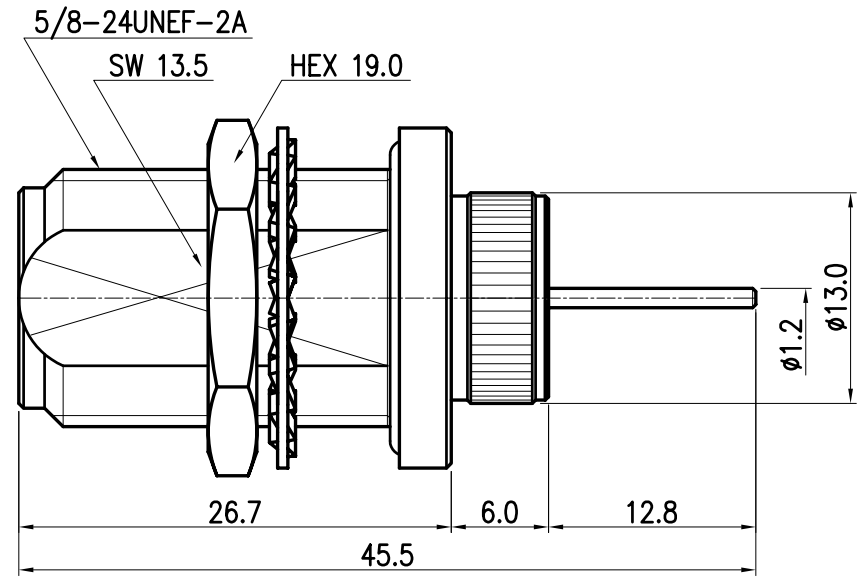
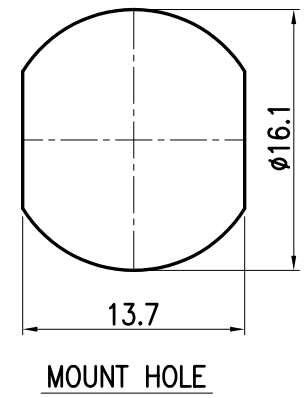


This document contains proprietary information and may not be reproduced or copied without the express written permission of a duly authorised representative of MPD.

REV	DESCRIPTION	DSG	APR	DATE



NOTE :

1. Interface : IEC 169-16
MIL-C-39012, N
2. Material and finish
Center contact : Phosphor bronze / Gold
Insulator : PTFE
Body : Brass / Nickel
3. Environmental data
Operating Temperature : -45 ~ 120C°
2002/95/EC (RoHS) : Compliant

<small>UNLESS OTHERWISE SPECIFIED : ALL DIMS IN MILLIMETERS TOLERANCES ON DECIMALS 1 PLACE ±0.10 ANGLE ±1.0° 1.6a 2 PLACE ±0.05 REMOVE BURRS, BREAK SHARP EDGES</small>				THIRD ANGLE 					
DRAW	DESIGN	CHECK	APPRO.	TITLE					
<i>JM_PARK</i>	<i>WY_CHO</i>		<i>CU_LEE</i>	N JACK CONNECTOR BULKHEAD RECEPTACLE PRESS IN TYPE		SIZE	DWG NO.	REV	
2006.12.12	2006.12.12		2006.12.12	A4		N6002-410		A	
Material				SEE NOTE 2.		Scale : NS		Do Not Scale Drawing	1 of 1
Finish				SEE NOTE 2.					