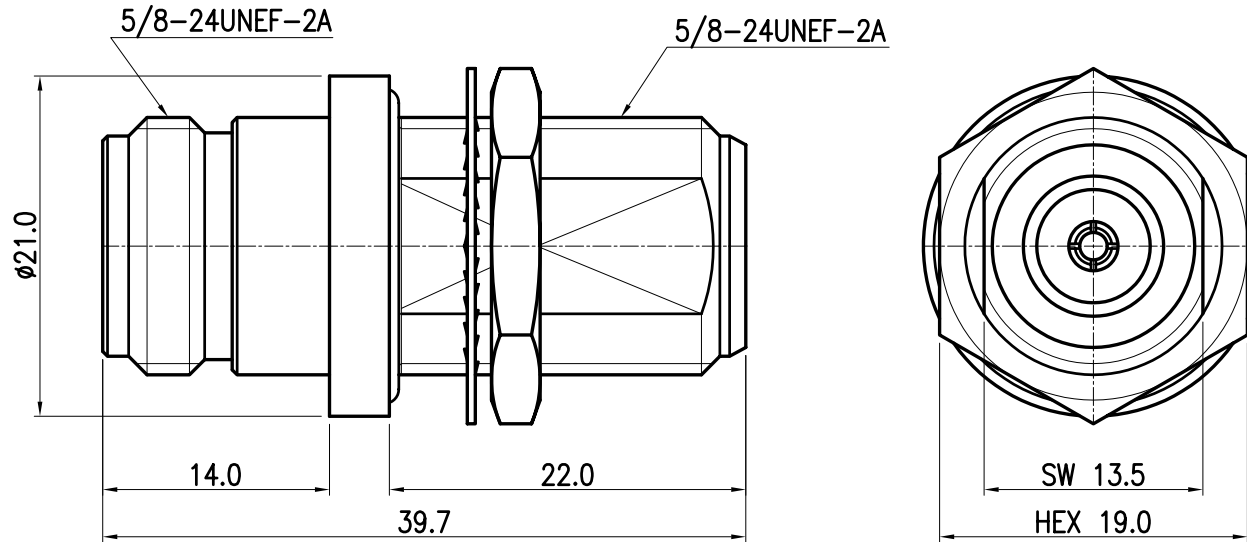


This document contains proprietary information and may not be reproduced or copied without the express written permission of a duly authorised representative of MPD.

REV	DESCRIPTION	DSG	APR	DATE



NOTE :

1. Material and Finish

Center contact : Beryllium-copper / Gold  
 Body : Brass / Nickel  
 Insulator : PTFE

2. Specification

Frequency Range : DC ~ 6GHz  
 VSWR : 1.20 : 1 Max  
 Operating Temperature : -45 ~ 120C°  
 2002/95/EC (RoHS) : Compliant

<small>UNLESS OTHERWISE SPECIFIED :                      ALL DIMS IN MILLIMETERS                      TOLERANCES ON DECIMALS                      1 PLACE ±0.10 ANGLE ±1.0° 1.6a                      2 PLACE ±0.05                      REMOVE BURRS. BREAK SHARP EDGES</small>				<small>THIRD ANGLE</small> 		 MICROWAVE PASSIVE DEVICE	
<small>DRAW</small>	<small>DESIGN</small>	<small>CHECK</small>	<small>APPRO.</small>	<small>TITLE</small>			
<i>JM_PARK</i>	<i>WY_CHO</i>		<i>CU_LEE</i>	ADAPTOR 50 Ohms N JACK - N JACK BULKHEAD			
2007. 2. 1	2007. 2. 1		2007. 2. 1	<small>SIZE</small>	<small>DWG NO.</small>	<small>REV</small>	
<small>Material</small>			SEE NOTE 1.	A4	N8018-410	A	
<small>Finish</small>			SEE NOTE 1.	<small>Scale : NS Do Not Scale Drawing</small>			1 of 1