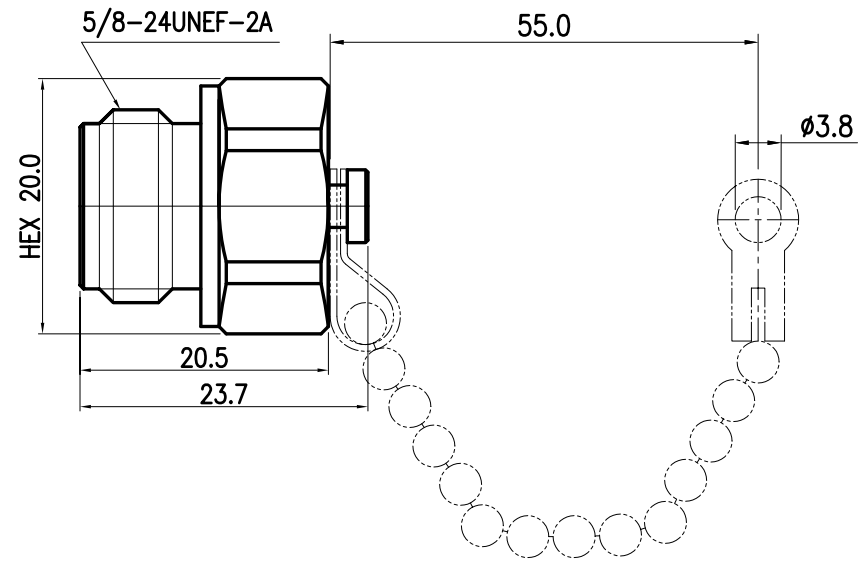


This document contains proprietary information and may not be reproduced or copied without the express written permission of a duly authorised representative of MPD.

REV	DESCRIPTION	DSG	APR	DATE



NOTE :

- Interface : IEC 169-16
MIL-C-39012, N
- Material and finish
Insulator : PTFE
Body, Bush : Brass / Nickel
Ball chain : Brass / Nickel
Terminal : Brass / Nickel
- Environmental data
Operating Temperature : -45 ~ 120°C
2002/95/EC (RoHS) : Compliant

<small>UNLESS OTHERWISE SPECIFIED : ALL DIMS IN MILLIMETERS TOLERANCES ON DECIMALS 1 PLACE ±0.20 ANGLE ±1.0° 1.6a 2 PLACE ±0.10 REMOVE BURRS, BREAK SHARP EDGES</small>				<small>THIRD ANGLE</small> 		
DRAW	DESIGN	CHECK	APPRO.	TITLE		
<i>JM_PARK</i>	<i>WY_CHO</i>		<i>CU_LEE</i>	N JACK STRAIGHT CONNECTOR DUST CAP CHAIN 55 mm		
2006.12.12	2006.12.12		2006.12.12	SIZE	DWG NO.	REV
Material			SEE NOTE 2.	A4	N9015-404	A
Finish			SEE NOTE 2.	Scale : NS Do Not Scale Drawing 1 of 1		