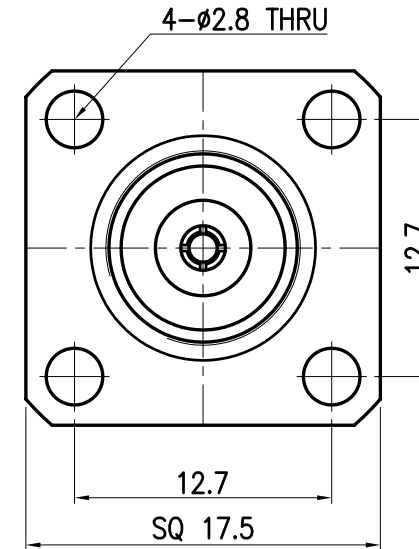
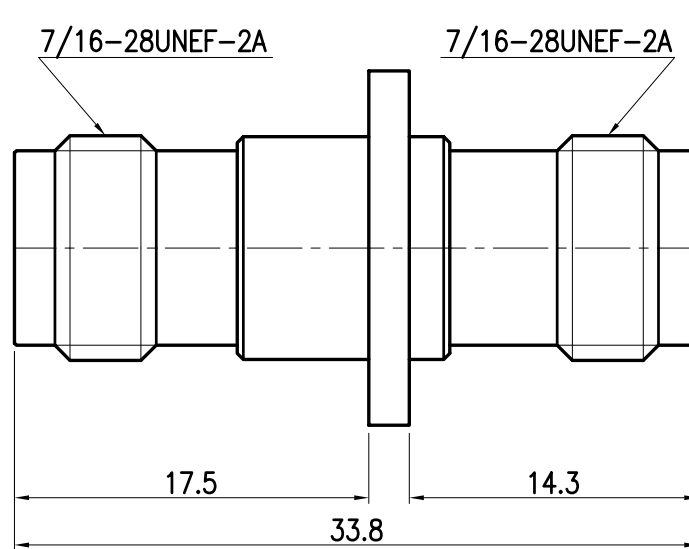


This document contains proprietary information and may not be reproduced or copied without the express written permission of a duly authorised representative of MPD.

REV	DESCRIPTION	DSG	APR	DATE



NOTE :

1. Material and Finish

Center contact : Beryllium-copper / Gold
 Body : Brass / Ternary-alloy
 Insulator : PTFE

2. Specification

Frequency Range : DC ~ 6GHz
 VSWR : 1.20 : 1 Max
 Operating Temperature : -45 ~ 120C°
 2002/95/EC (RoHS) : Compliant

UNLESS OTHERWISE SPECIFIED : ALL DIMS IN MILLIMETERS TOLERANCES ON DECIMALS 1 PLACE ±0.10 ANGLE ±1.0° 1.6g 2 PLACE ±0.05 REMOVE BURRS. BREAK SHARP EDGES				THIRD ANGLE			
DRAW	DESIGN	CHECK	APPRO.	TITLE			
<i>JM PARK</i>	<i>WY CHO</i>	 	<i>CU LEE</i>	ADAPTOR 50 Ohms TNC JACK - TNC JACK STRAIGHT PANEL MOUNT		SIZE	REV
2007. 2. 1	2007. 2. 1		2007. 2. 1	A4	T8004-310	A	
Material				SEE NOTE 1.		Scale : NS Do Not Scale Drawing 1 of 1	
Finish				SEE NOTE 1.			