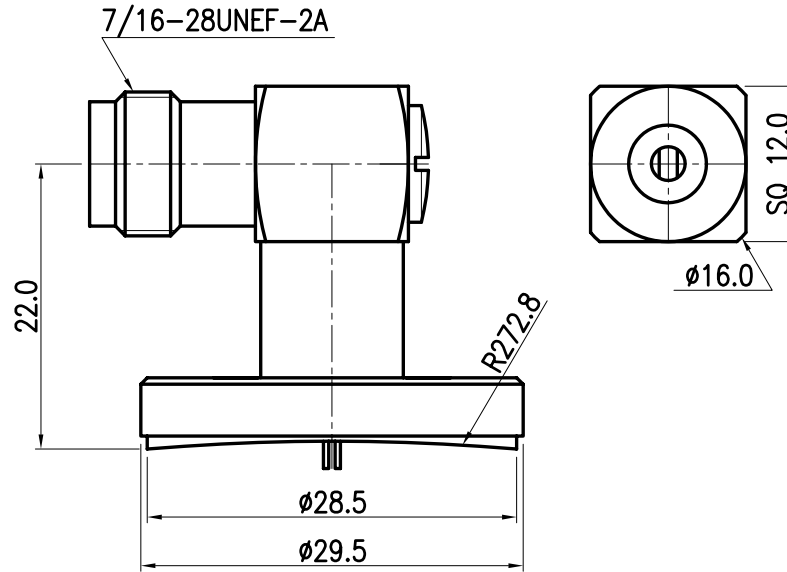


This document contains proprietary information and may not be reproduced or copied without the express written permission of a duly authorised representative of MPD.

REV	DESCRIPTION	DSG	APR	DATE



NOTE :

- Interface : IEC 169-17
MIL-STD-348A, TNC
- Material and Finish
Center contact – Female part : Beryllium-copper / Gold
– Solder part : Brass / Gold
Body : Brass / Ternary-alloy
Insulator : PTFE
- Environmental data
Operating Temperature : -45 ~ 120C°
2002/95/EC (RoHS) : Compliant

UNLESS OTHERWISE SPECIFIED : ALL DIMS IN MILLIMETERS TOLERANCES ON DECIMALS 1 PLACE ±0.20 ANGLE ±1.0° 1.6a 2 PLACE ±0.10 REMOVE BURRS. BREAK SHARP EDGES				THIRD ANGLE 	 MICROWAVE PASSIVE DEVICE
DRAW	DESIGN	CHECK	APPRO.	TITLE	
<i>JM_PARK</i>	<i>WY_CHO</i>		<i>CU_LEE</i>	TNC JACK RIGHT ANGLE CONNECTOR	
2006.12.12	2006.12.12		2006.12.12		
Material	SEE NOTE 2.			SIZE A4	DWG NO. T9005-310
Finish	SEE NOTE 2.			REV A	
Scale : NS				Do Not Scale Drawing	1 of 1