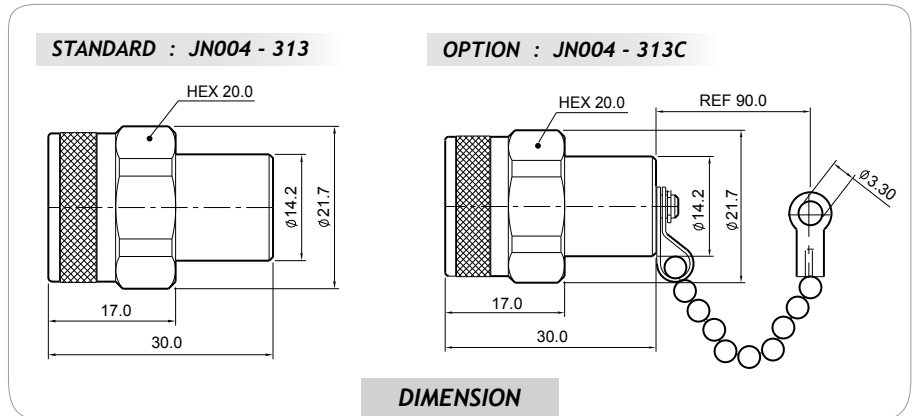


N Termination DC to 18GHz



Electrical

- Frequency Range ----- DC ~ 18 GHz
- Return Loss ----- 15 dB max
- Impedance ----- 50 Ohms
- RF Power
 - * Nominal ----- 2 Watts Average at 25°C
 - Derated Linearly to 1 Watt at 125°C
- Operating Temp Range --- -55°C to 125°C

Material

- Resistive Element --- Thin Film
- Resistor Substrat --- Alumina Ceramic
- Body ----- Ternary Alloy Plated Brass
- Hex Nut ----- Ternary Alloy Plated Brass
- Center Contact ----- Gold Plated Brass per MIL-G-45204

Interface

MIL-STD-348A

Return Loss

- DC ~ 4 GHz --- 32 dB Max
- 4 ~ 8 GHz --- 25 dB Max
- 8 ~ 18 GHz --- 15 dB Max

TYPICAL PERFORMANCE

