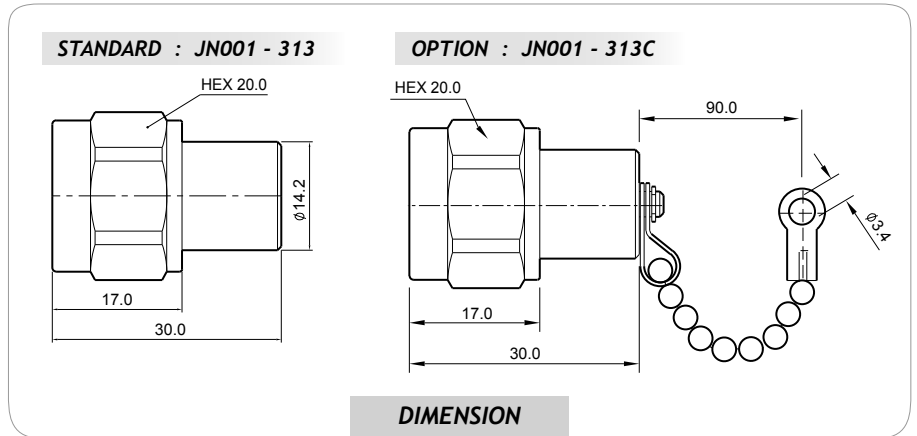


# N Termination DC to 6GHz



## Electrical

- Frequency Range ----- DC ~ 6 GHz
- Return Loss ----- 18 dB max
- Impedance ----- 50 Ohms
- RF Power
  - \* Nominal ----- 2 Watts Average at 25°C
  - Derated Linearly to 1 Watt at 125°C
- Operating Temp Range --- -55°C to 125°C

## Material

- Resistive Element --- Thin Film
- Resistor Substrat --- Alumina Ceramic
- Body ----- Ternary Alloy Plated Brass
- Hex Nut ----- Ternary Alloy Plated Brass
- Center Contact ----- Gold Plated Brass per MIL-G-45204

## Interface

MIL-STD-348A

## Return Loss

- DC ~ 4 GHz --- 25 dB Max
- 4 ~ 6 GHz --- 18 dB Max

## TYPICAL PERFORMANCE

